

2019

BEKA-MAK

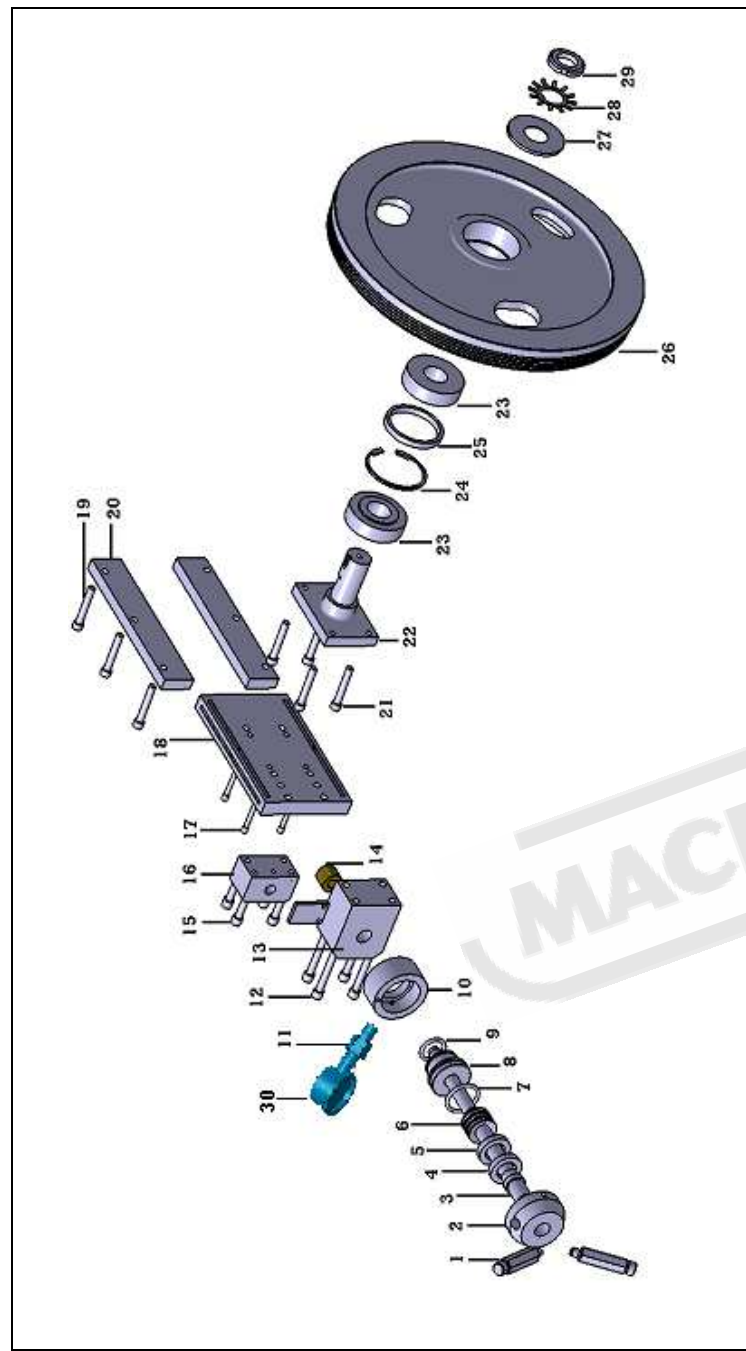
FULL AUTOMATIC HORIZONTAL BANDSAWING MACHINES

BMSO 320



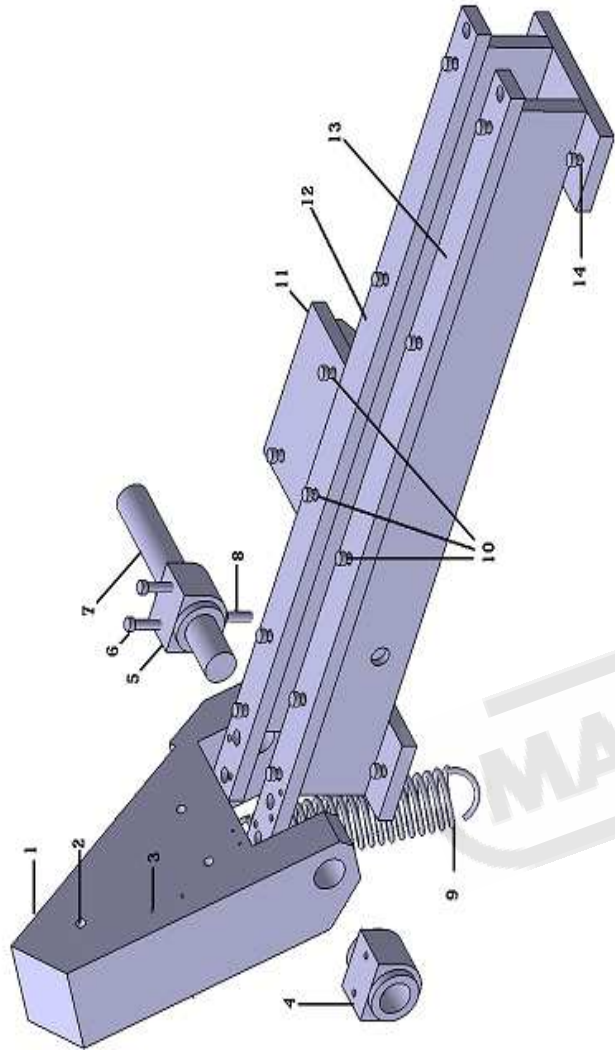
SPARE PART TABLES





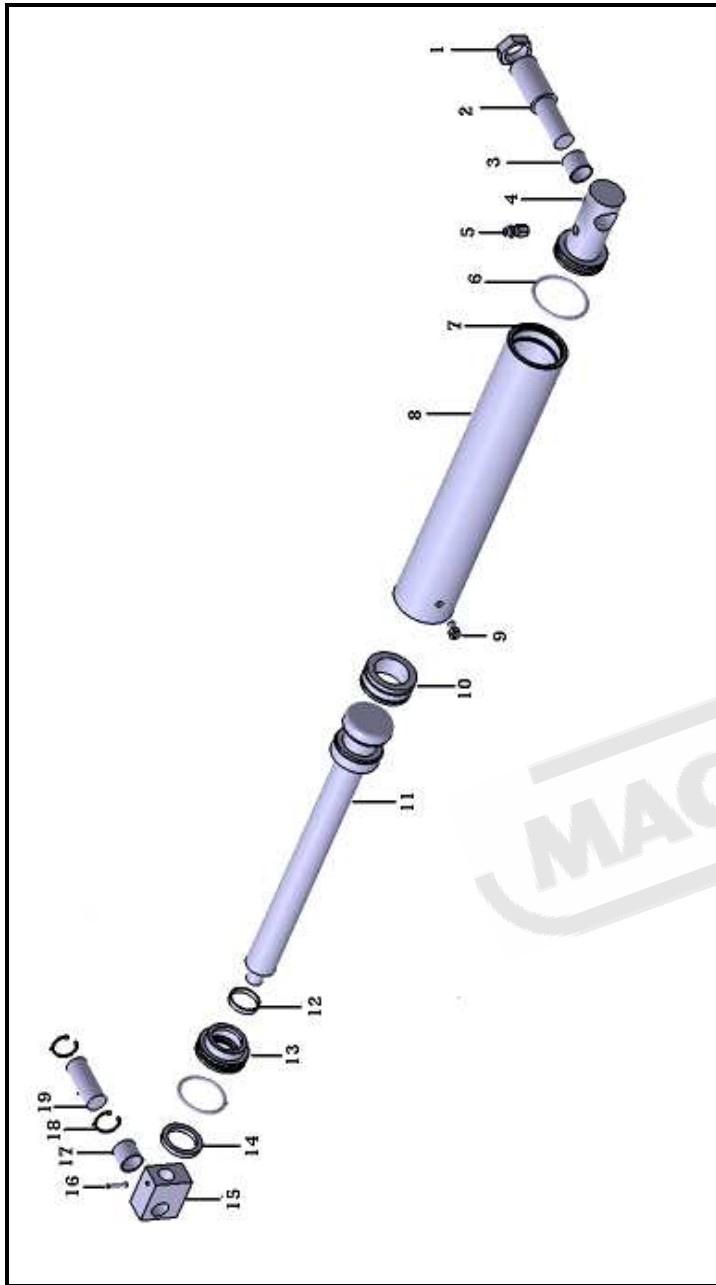
TENSIONING GROUP

PART NMR	PART CODE	PART NAME
001	BMSO 280/320/320L.01.01	KNOP BLOCKS
002	BMSO 280/320/320L.01.02	TENSIONING KNOP
003	BMSO 280/320/320L.01.03	TENSIONING SHAFT
004	BMSO 280/320/320L.01.04	BEARING 51204
005	BMSO 280/320/320L.01.05	METAL RING
006	BMSO 280/320/320L.01.06	WASHER 6 PC
007	BMSO 280/320/320L.01.07	42*86*3,53 ORÍNG
008	BMSO 280/320/320L.01.08	LEAN BLOCK (INNER)
009	BMSO 280/320/320L.01.09	34*59*2,62 ORÍNG
010	BMSO 280/320/320L.01.10	LEAN BLOCK (OUTER)
011	BMSO 280/320/320L.01.11	1/8 REKOR
012	BMSO 280/320/320L.01.12	M8*80 INBUS
013	BMSO 280/320/320L.01.13	TENSIONING BLOCK
014	BMSO 280/320/320L.01.14	BRASS
015	BMSO 280/320/320L.01.15	M8*30 INBUS
016	BMSO 280/320/320L.01.16	TENSIONING NUT
017	BMSO 280/320/320L.01.17	M8*20 SETSKUR
018	BMSO 280/320/320L.01.18	TENSIONING SLEDGE
019	BMSO 280/320/320L.01.19	M8*30 INBUS
020	BMSO 280/320/320L.01.20	SLEDGE FLAT
021	BMSO 280/320/320L.01.21	M8*35 INBUS
022	BMSO 280/320/320L.01.22	TENSIONING ARRANGEMENTS
023	BMSO 280/320/320L.01.23	CR 30306 BEARING
024	BMSO 280/320/320L.01.24	472/72 SEGMAN
025	BMSO 280/320/320L.01.25	METAL RING
026	BMSO 280/320/320L.01.26	FRONT WHEEL
027	BMSO 280/320/320L.01.27	DRIVE WHEEL COVER
028	BMSO 280/320/320L.01.28	MB6 SECURITY WASHER
029	BMSO 280/320/320L.01.29	KM6 NUT
030	BMSO 280/320/320L.01.30	MANOMETRE

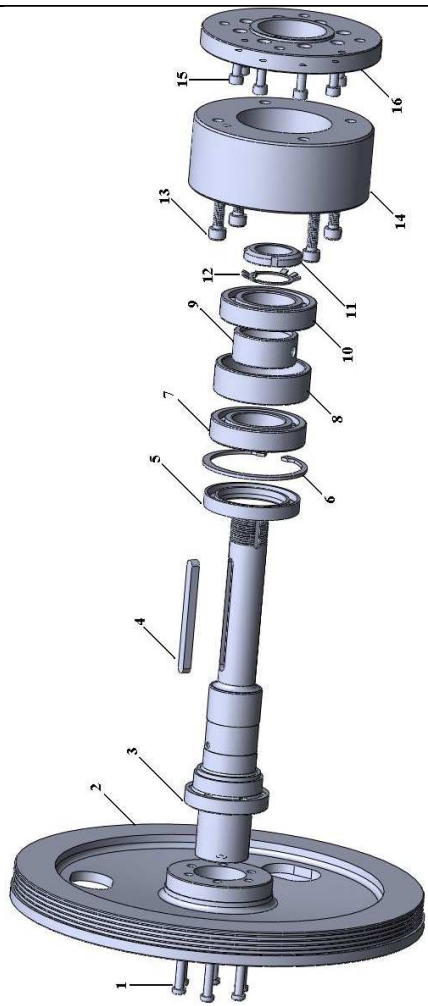


LOWER BODY GROUP

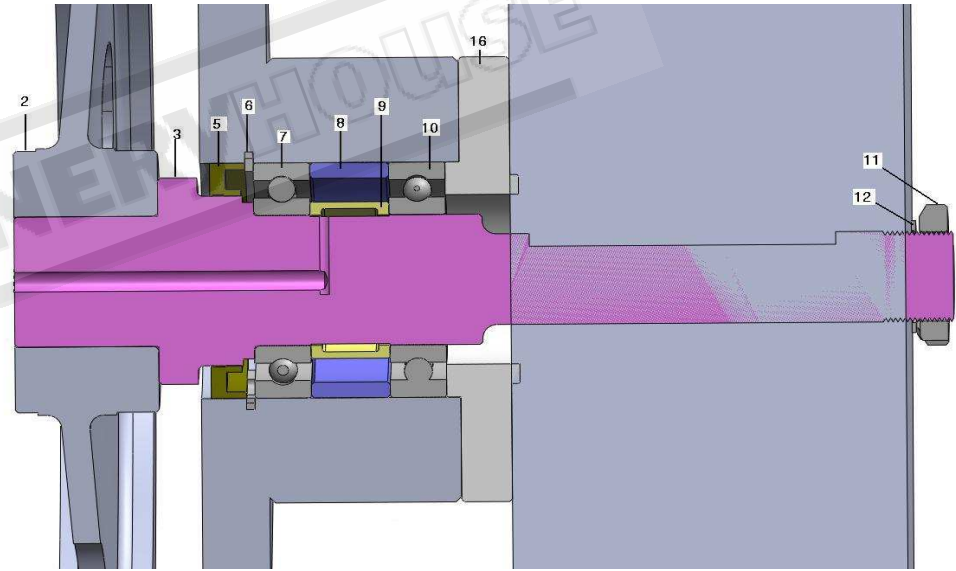
PART NMR	PART CODE	PART NAME
001	BMSO 280/320/320L.02.01	BOW CONNECTION
002	BMSO 280/320/320L.02.02	M12*50 INBUS
003	BMSO 280/320/320L.02.03	PIN 5*30
004	BMSO 280/320/320L.02.04	BOW CONNECTION CASTING FIXING BLOCK LEFT
005	BMSO 280/320/320L.02.05	BOW CONNECTION CASTING BLOCK RIGHT
006	BMSO 280/320/320L.02.06	M10*30 INBUS
007	BMSO 280/320/320L.02.07	BOW CONNECTION CASTING SHAFT
008	BMSO 280/320/320L.02.08	M8*20 SETSKUR
009	BMSO 280/320/320L.02.09	SPRING
010	BMSO 280/320/320L.02.10	M8*30 INBUS
011	BMSO 280/320/320L.02.11	CUTTING TABLE
012	BMSO 280/320/320L.02.12	VICE LOWER FLAT (RIGHT)
013	BMSO 280/320/320L.02.13	VICE LOWER FLAT (LEFT)
014	BMSO 280/320/320L.02.14	M12*40 INBUS

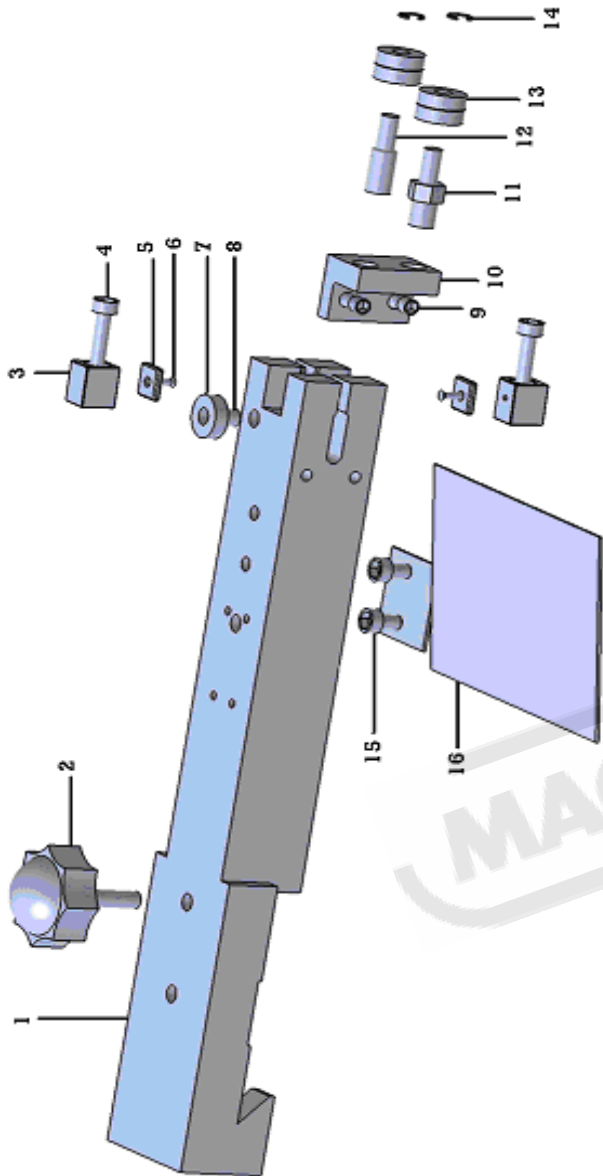


PISTON GROUP		
PART NMR	PART CODE	PART NAME
001	BMSO 280/320/320L.03.01	24*1,5 NUT
002	BMSO 280/320/320L.03.02	CONNECTION PIN
003	BMSO 280/320/320L.03.03	Ø23*Ø20* 25 METAL RING
004	BMSO 280/320/320L.03.04	LOWER BLOCK
005	BMSO 280/320/320L.03.05	1/8 Ø6 REKOR
006	BMSO 280/320/320L.03.06	42,86*3,53 ORING
007	BMSO 280/320/320L.03.07	472/50 SEGMAN
008	BMSO 280/320/320L.03.08	PISTON PIPE
009	BMSO 280/320/320L.03.09	1/8 Ø6 ELBOW
010	BMSO 280/320/320L.03.10	50*34*20,5 SEAL SET
011	BMSO 280/320/320L.03.11	PISTON SHAFT
012	BMSO 280/320/320L.03.12	BAND
013	BMSO 280/320/320L.03.13	UPPER COVER
014	BMSO 280/320/320L.03.14	DUST SEAL 30*38
015	BMSO 280/320/320L.03.15	UPPER CONNECTION BLOCK
016	BMSO 280/320/320L.03.16	M6*8 SETSKUR
017	BMSO 280/320/320L.03.17	Ø20*Ø18*16 METAL RING
018	BMSO 280/320/320L.03.18	471/16 SEGMAN
019	BMSO 280/320/320L.03.19	Ø16 PIN



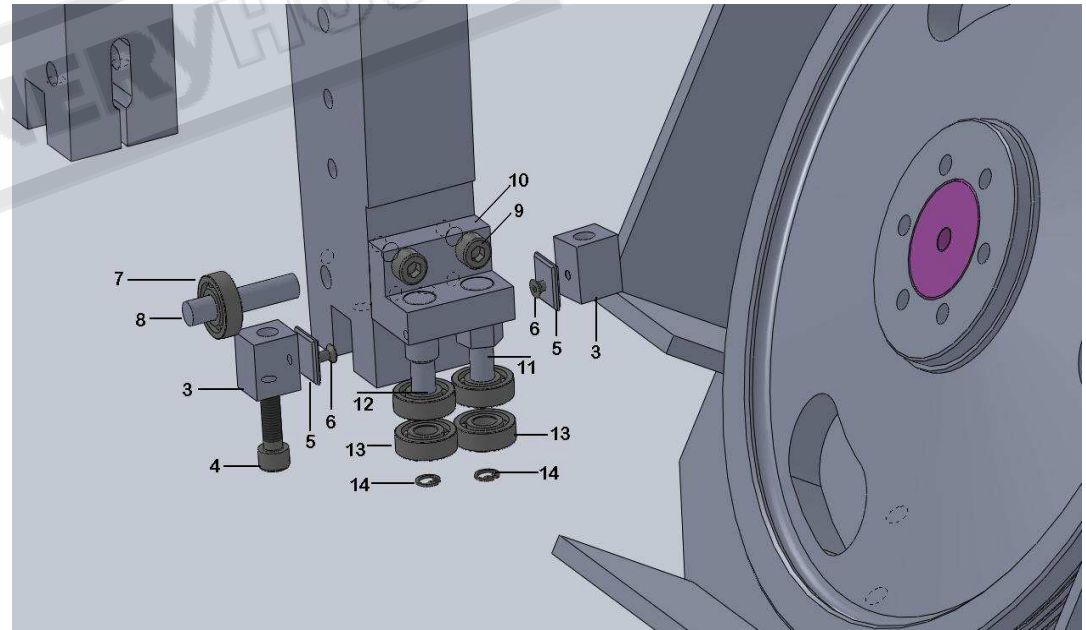
REDUCTOR GROUP			
PART NMR	PART CODE		PART NAME
001	BMSO 280/320/320L.04.01	M8*60	INBUS
002	BMSO 280/320/320L.04.02		REAR WHEEL
003	BMSO 280/320/320L.04.03		REDUCTOR SHAFT
004	BMSO 280/320/320L.04.04	8*7*35	WEDGE
005	BMSO 280/320/320L.04.05	65*90*13	SEAL
006	BMSO 280/320/320L.04.06	472/90	SEGMAN
007	BMSO 280/320/320L.04.07		6210 BEARING
008	BMSO 280/320/320L.04.08		METAL RING
009	BMSO 280/320/320L.04.09		METAL RING
010	BMSO 280/320/320L.04.10		6210 BEARING
011	BMSO 280/320/320L.04.11		KM7 SOMUN
012	BMSO 280/320/320L.04.12		MB7 WASHER
013	BMSO 280/320/320L.04.13	M10*110	INBUS
014	BMSO 280/320/320L.04.14		REDUCTOR BEARING
015	BMSO 280/320/320L.04.15	M8*25 (8 ADET)	
016	BMSO 280/320/320L.04.16		FLANGE





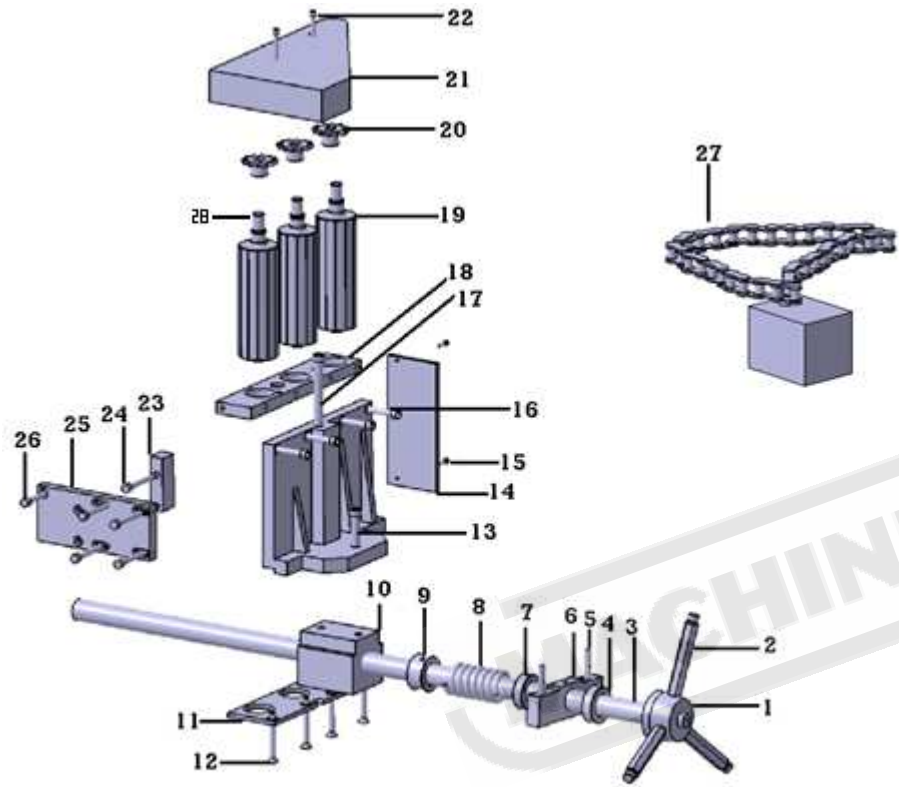
CARBIDE GUIDE GROUP

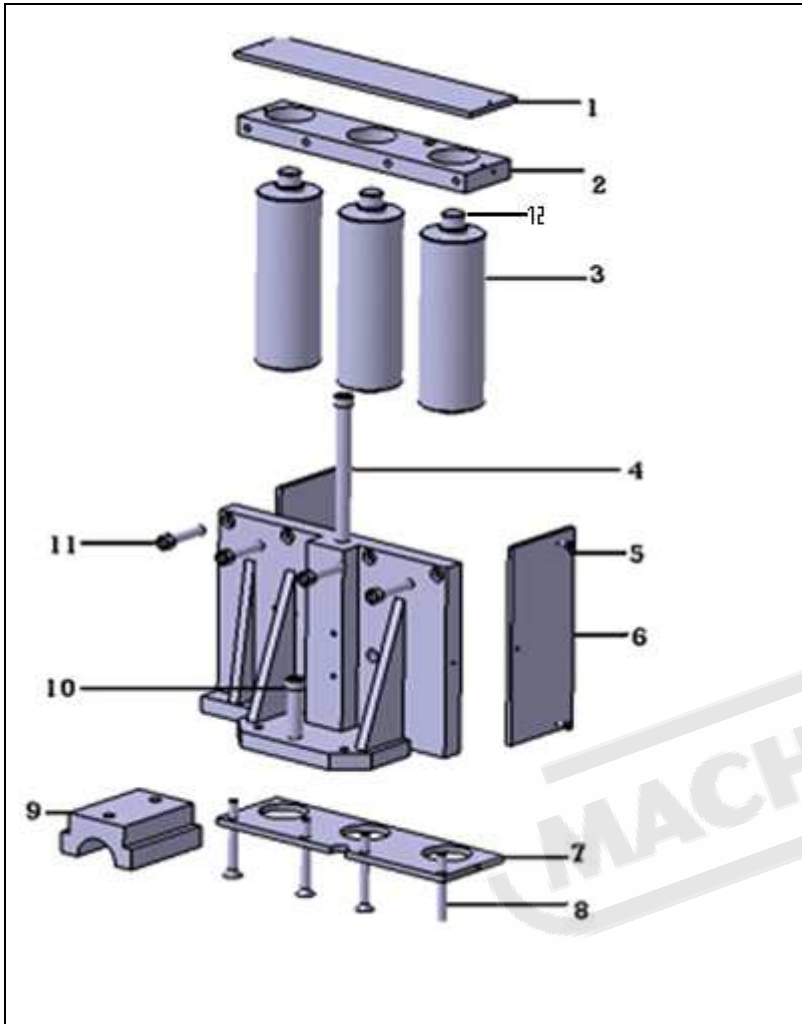
PART NMR	PART CODE	PART NAME
001	BMSO 280/320/320L.05.01	MOVING ARM
002	BMSO 280/320/320L.05.02	10*50 HANDLE
003	BMSO 280/320/320L.05.03	CARBIDE BLOCK
004	BMSO 280/320/320L.05.04	M8*30 INBUS
005	BMSO 280/320/320L.05.05	CARBIDE
006	BMSO 280/320/320L.05.06	M4*8 INBUS
007	BMSO 280/320/320L.05.07	6000 BEARING
008	BMSO 280/320/320L.05.08	10*50 SHAFT
009	BMSO 280/320/320L.05.09	M8*25 INBUS
010	BMSO 280/320/320L.05.10	BLADE DIRECTION BLOCK
011	BMSO 280/320/320L.05.11	ECCENTRIC PIN
012	BMSO 280/320/320L.05.12	STRAIGHT PIN
013	BMSO 280/320/320L.05.13	62200 BEARING
014	BMSO 280/320/320L.05.14	Ø10 RING
015	BMSO 280/320/320L.05.15	M8*15 INBUS
016	BMSO 280/320/320L.05.16	BLADE GUIDE



MOVING VICE GROUP

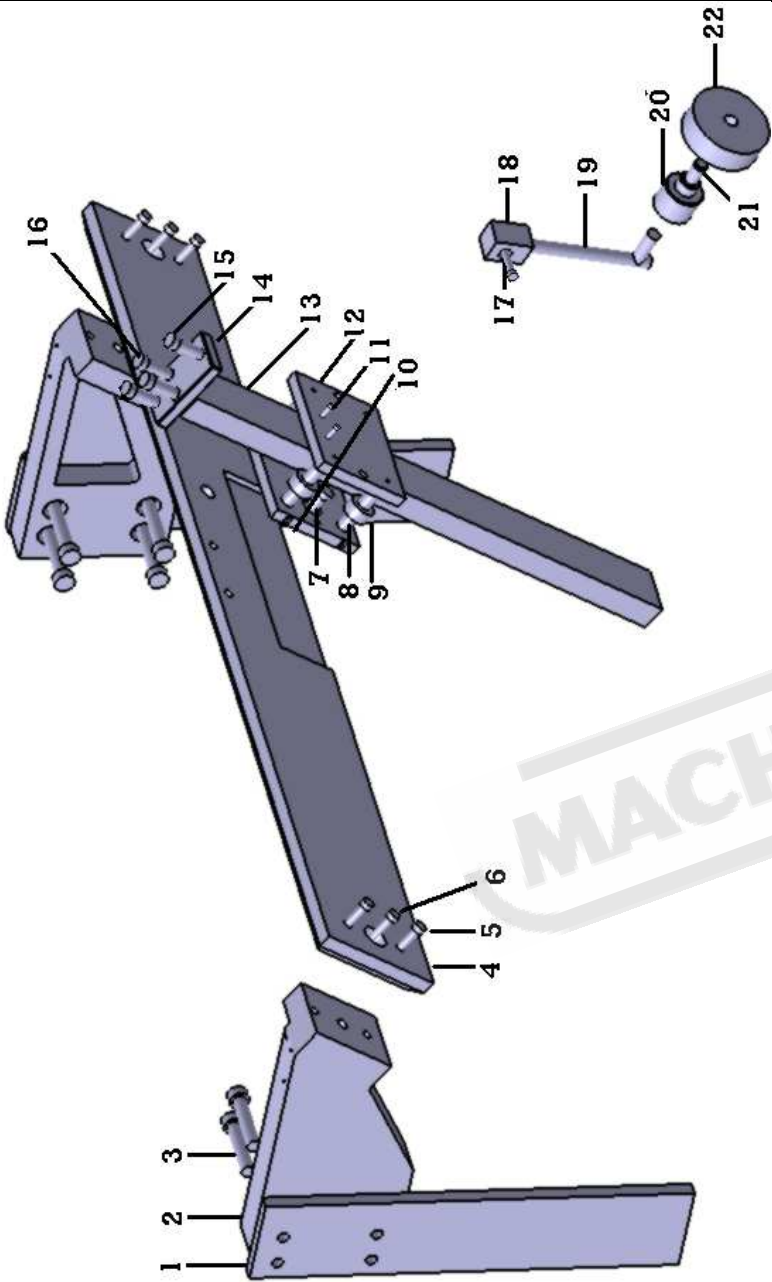
	PART CODE	PART NAME
1	BMSO 280/320/320L.06.01	KNOP
2	BMSO 280/320/320L.06.02	HANDLE
3	BMSO 280/320/320L.06.03	MOVING SHAFT
4	BMSO 280/320/320L.06.04	METAL RING
5	BMSO 280/320/320L.06.05	M10*25 INBUS
6	BMSO 280/320/320L.06.06	VICE CONNECTION BLOCK
7	BMSO 280/320/320L.06.07	RT119 BEARING
8	BMSO 280/320/320L.06.08	SPRING
9	BMSO 280/320/320L.06.09	METAL RING
10	BMSO 280/320/320L.06.10	VICE NUT
11	BMSO 280/320/320L.06.11	VICE LOWER FLAFT
12	BMSO 280/320/320L.06.12	M8*20 INBUS
13	BMSO 280/320/320L.06.13	M12*45 INBUS
14	BMSO 280/320/320L.06.14	FLAT
15	BMSO 280/320/320L.06.15	M4*10 INBUS
16	BMSO 280/320/320L.06.16	M8*20 INBUS
17	BMSO 280/320/320L.06.17	12*210 SHAFT
18	BMSO 280/320/320L.06.18	UPPER FLAT
19	BMSO 280/320/320L.06.19	MOVING VICE ROLLER (ROUGH)
20	BMSO 280/320/320L.06.20	CHAIN GEAR WHEEL
21	BMSO 280/320/320L.06.21	UPPOR COVER
22	BMSO 280/320/320L.06.22	6 CORNER SHAFT
23	BMSO 280/320/320L.06.23	SHAFT
24	BMSO 280/320/320L.06.24	M10*50 INBUS
25	BMSO 280/320/320L.06.25	FLAT
26	BMSO 280/320/320L.06.26	M8*25 INBUS
27	BMSO 280/320/320L.06.27	CHAIN(65cm)





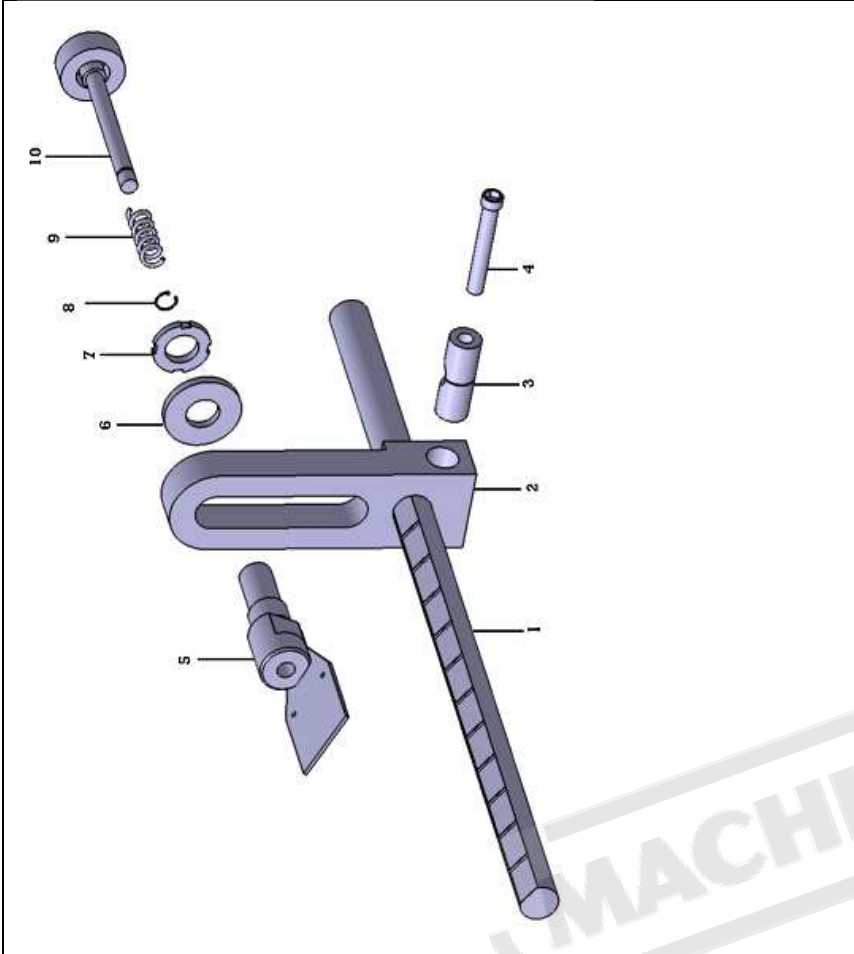
FIXED VICE GROUP

	PART CODE	PART NAME
1	BMSO 280/320/320L.07.01	UPPER CONNECTION FLAT
2	BMSO 280/320/320L.07.02	UPPER FLAT
3	BMSO 280/320/320L.07.03	FIXED VICE WHEEL (STRAIGHT)
4	BMSO 280/320/320L.07.04	12*220 SHAFT
5	BMSO 280/320/320L.07.05	M4*10 INBUS
6	BMSO 280/320/320L.07.06	FLAT
7	BMSO 280/320/320L.07.07	LOWER FLAT
8	BMSO 280/320/320L.07.08	M8*20 INBUS
9	BMSO 280/320/320L.07.09	FIXED VICE NUT
10	BMSO 280/320/320L.07.10	M12*40 6 CORNER BOLT
11	BMSO 280/320/320L.07.11	M8*20 INBUS
12	BMSO 280/320/320L.07.12	6004 BEARING



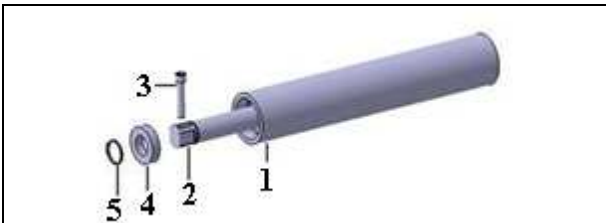
SWITCH AND BRUSH GROUP

PART NMR	PART CODE	PART NAME
001	BMSO 280/320/320L.08.01	CONNECTION FLAT
002	BMSO 280/320/320L.08.02	LEFT BLOCK
003	BMSO 280/320/320L.08.03	M10*30 INBUS
004	BMSO 280/320/320L.08.04	SLEDGE FLAT
005	BMSO 280/320/320L.08.05	M8*20 INBUS
006	BMSO 280/320/320L.08.06	M10*30 INBUS
007	BMSO 280/320/320L.08.07	M6*30 INBUS
008	BMSO 280/320/320L.08.08	STRAIGHT SHAFT
009	BMSO 280/320/320L.08.09	BEARING 6000
010	BMSO 280/320/320L.08.10	SWITCH LOWER FLAT
011	BMSO 280/320/320L.08.11	M4*30 INBUS
012	BMSO 280/320/320L.08.12	SWITCH UPPER FLAT
013	BMSO 280/320/320L.08.13	SWITCH FLAT
014	BMSO 280/320/320L.08.14	SWITCH FIXED FLAT
015	BMSO 280/320/320L.08.15	M6*15 INBUS
016	BMSO 280/320/320L.08.16	M6*20 INBUS
017	BMSO 280/320/320L.08.17	M8*30 INBUS
018	BMSO 280/320/320L.08.18	BRUSH CONNECTION BLOCK
019	BMSO 280/320/320L.08.19	BRUSH CONNECTION SHAFT
020	BMSO 280/320/320L.08.20	BRUSH CONNECTION ARM
021	BMSO 280/320/320L.08.21	SEGMAN 471/10
022	BMSO 280/320/320L.08.22	BRUSH

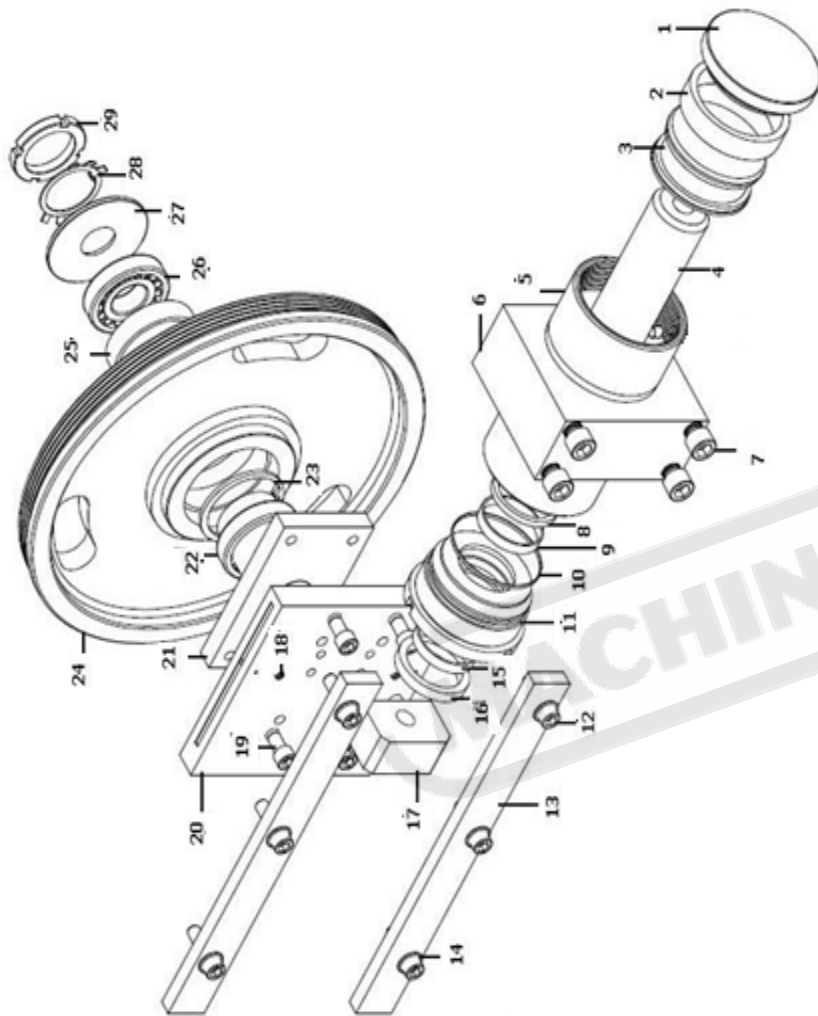


LEAN GROUP

PART NMR	PART CODE	PART NAME
001	BMSO 280/320/320L.09.01	LEAN SHAFT
002	BMSO 280/320/320L.09.02	LEAN BLOCK
003	BMSO 280/320/320L.09.03	LEAN INNER SHAFT
004	BMSO 280/320/320L.09.04	M8*50 INBUS
005	BMSO 280/320/320L.09.05	SWITCH TABLE
006	BMSO 280/320/320L.09.06	WASHER
007	BMSO 280/320/320L.09.07	KM6 NUT
008	BMSO 280/320/320L.09.08	Ø 14 SEGMAN
009	BMSO 280/320/320L.09.09	SPRING
010	BMSO 280/320/320L.09.10	SWITCH TABLE SHAFT



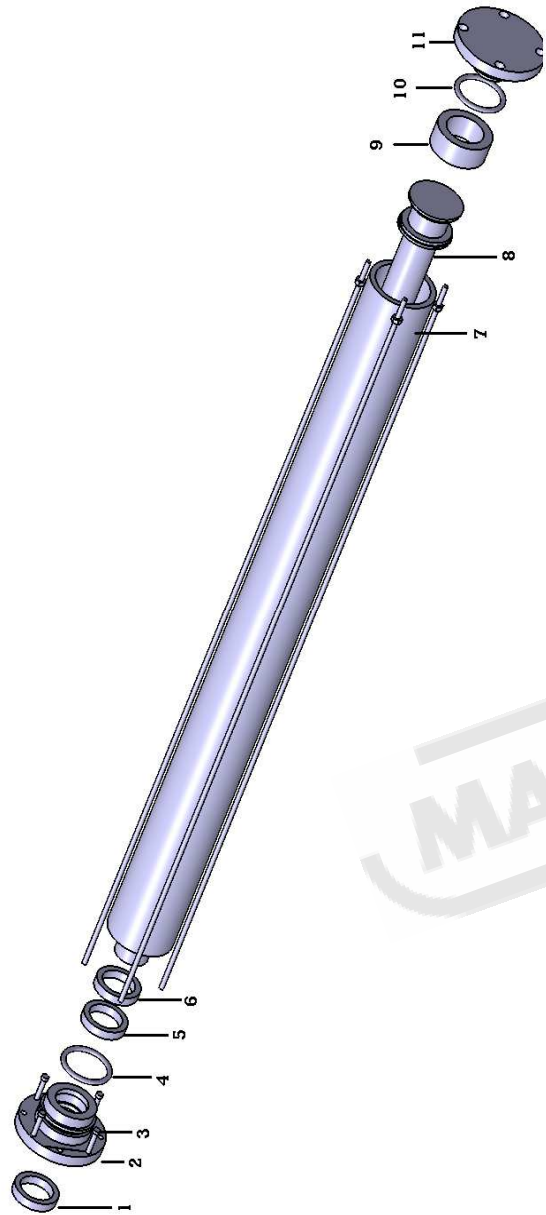
PART NMR	PART CODE	PART NAME
001	BMSO 280/320/320L.10.01	CYLINDER PIPE
002	BMSO 280/320/320L.10.02	CYLINDER MILE
003	BMSO 280/320/320L.10.03	M10*40 INBUS
004	BMSO 280/320/320L.10.04	6005 BEARING
005	BMSO 280/320/320L.10.05	Ø25 SEGMAN



HYDRAULIC TENSIOING GROUP

PART NMR	PART CODE	PART NAME
001	BMSO 280/320/320L.11.01	PISTON COVER
002	BMSO 280/320/320L.11.02	SEAL SET 100X86X22,4
003	BMSO 280/320/320L.11.03	PISTON HEAD
004	BMSO 280/320/320L.11.04	PISTON SHAFT
005	BMSO 280/320/320L.11.05	SHAFT PIPE
006	BMSO 280/320/320L.11.06	LEAN PART (INNER)
007	BMSO 280/320/320L.11.07	M8X100 INBUS
008	BMSO 280/320/320L.11.08	DUST SEAL 25X33X7,5
009	BMSO 280/320/320L.11.09	BANT 2X10
010	BMSO 280/320/320L.11.10	O-RING 90X4
011	BMSO 280/320/320L.11.11	PISTON HOLDER (BACK)
012	BMSO 280/320/320L.11.12	M8*20 INBUS
013	BMSO 280/320/320L.11.13	SLEDGE PLATES
014	BMSO 280/320/320L.11.14	WASHER
015	BMSO 280/320/320L.11.15	OIL SEAL 25X35X7
016	BMSO 280/320/320L.11.16	BANT 2X10
017	BMSO 280/320/320L.11.17	TENSIONING SLEDGE BLOCK
018	BMSO 280/320/320L.11.18	GREASE UNION
019	BMSO 280/320/320L.11.19	M8*20 SESTKUR
020	BMSO 280/320/320L.11.20	TENSIONING SLEDGE
021	BMSO 280/320/320L.11.21	WHEEL SHAFT
022	BMSO 280/320/320L.11.22	BEARING 30307
023	BMSO 280/320/320L.11.23	RING 472/90
024	BMSO 280/320/320L.11.24	IDDLE WHEEL
025	BMSO 280/320/320L.11.25	METAL RING 20*80
026	BMSO 280/320/320L.11.26	BEARING 30306
027	BMSO 280/320/320L.11.27	TENSIONING SHAFT COVER
028	BMSO 280/320/320L.11.28	MB6 SAFETY WASHER
029	BMSO 280/320/320L.11.29	KM6 NUT

OPTIONAL

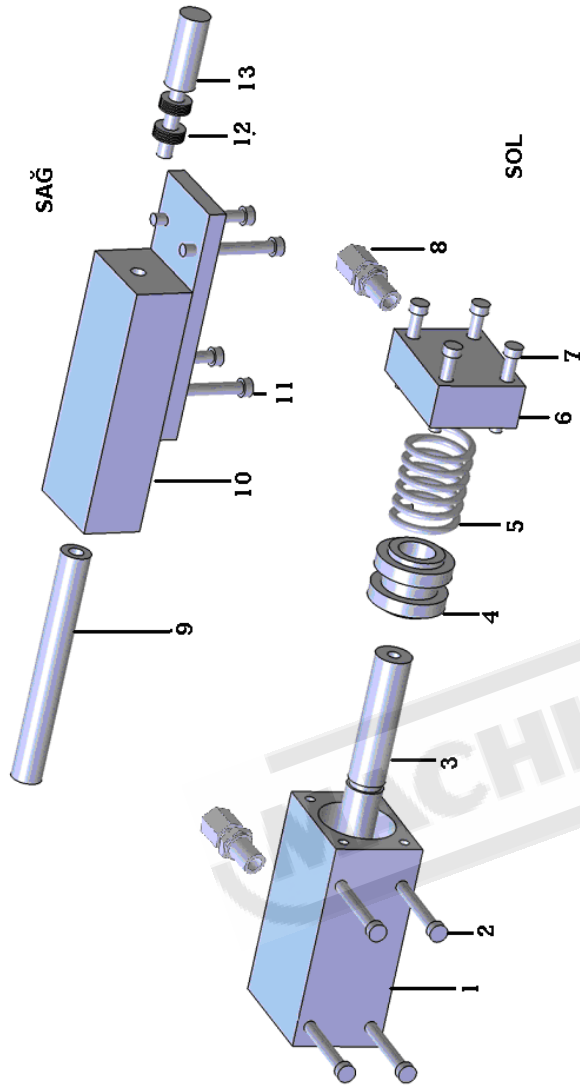


HYDRAULIC VICE GROUP

PART NMR	PART CODE	PART NAME
001	BMSO 280/320/320L.12.01	DUST SEALI 30*38
002	BMSO 280/320/320L.12.02	PISTON FRONT COVER
003	BMSO 280/320/320L.12.03	M6*25 INBUS
004	BMSO 280/320/320L.12.04	ORING 42,86*3,53
005	BMSO 280/320/320L.12.05	OIL SEAL 30*40*8
006	BMSO 280/320/320L.12.06	BAND 2*10
007	BMSO 280/320/320L.12.07	VICE PISTON PIPE
008	BMSO 280/320/320L.12.08	VICE PISTON SHAFT
009	BMSO 280/320/320L.12.09	SEAL SET K18 050-034 (50*34*20,5)
010	BMSO 280/320/320L.12.10	ORING 42,86*3,53
011	BMSO 280/320/320L.12.11	PISTON REAR COVER

MACHINERYHOUSE

OPTIONAL



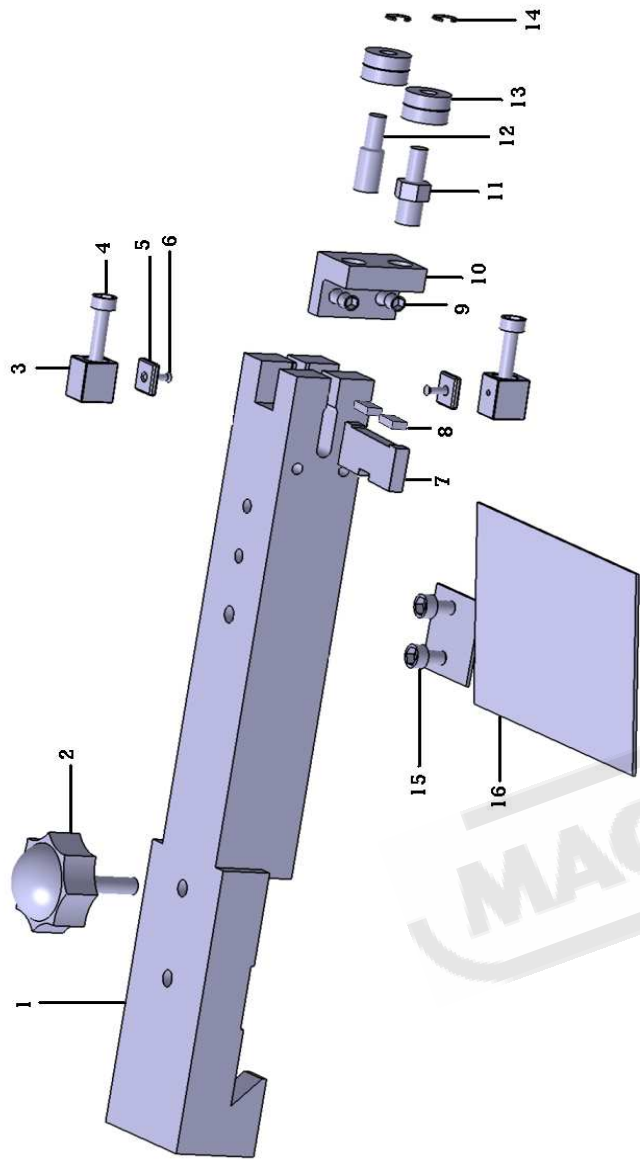
SENSITIVE PRESSURE GROUP -LEFT

PART NMR	PART CODE	PART NAME
001	BMSO 280/320/320L.13.01	BODY
002	BMSO 280/320/320L.13.02	M4*20 INBUS
003	BMSO 280/320/320L.13.03	SHAFT
004	BMSO 280/320/320L.13.04	SHAFT TOWER
005	BMSO 280/320/320L.13.05	SPRING
006	BMSO 280/320/320L.13.06	UPPER COVER
007	BMSO 280/320/320L.13.07	M4*20 INBUS
008	BMSO 280/320/320L.13.08	REKOR 1/8 Ø6

SENSITIVE PRESSURE GROUP-RIGHT

PART NMR	PART CODE	PART NAME
009	BMSO 280/320/320L.13.09	CHROME SHAFT
010	BMSO 280/320/320L.13.10	BODY
011	BMSO 280/320/320L.13.11	M4*20 INBUS
012	BMSO 280/320/320L.13.12	WASHER
013	BMSO 280/320/320L.13.13	CHROME SHAFT(UPPER)

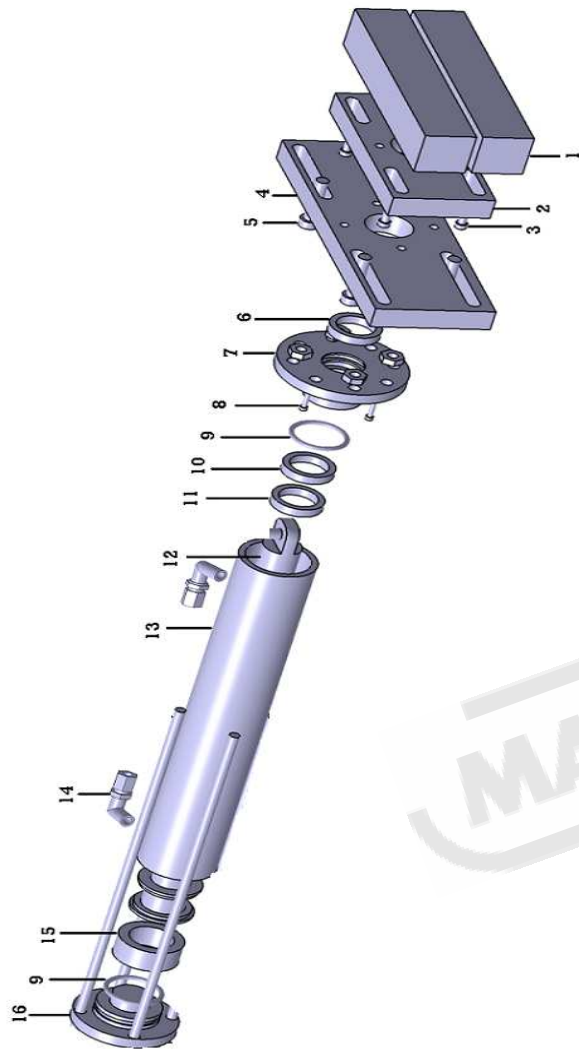
OPTIONAL



CARBIDE GUIDE GROUP

PART NMR	PART CODE	PART NAME
001	BMSO 280/320/320L.14.01	MOVING ARM
002	BMSO 280/320/320L.14.02	10*50 HANDLE
003	BMSO 280/320/320L.14.03	CARBIDE BLOCK
004	BMSO 280/320/320L.14.04	M8*30 INBUS
005	BMSO 280/320/320L.14.05	CARBIDE
006	BMSO 280/320/320L.14.06	M4*8 INBUS
007	BMSO 280/320/320L.14.07	CARBIDE BACK BLOCK
008	BMSO 280/320/320L.14.08	CARBIDE
009	BMSO 280/320/320L.14.09	M8*25 INBUS
010	BMSO 280/320/320L.14.10	BLADE DIRECTION BLOCK
011	BMSO 280/320/320L.14.11	ECCENTRIC PIN
012	BMSO 280/320/320L.14.12	STRAIGHT PIN
013	BMSO 280/320/320L.14.13	62202 BEARING
014	BMSO 280/320/320L.14.14	Ø10 RING
015	BMSO 280/320/320L.14.15	M8*15 INBUS
016	BMSO 280/320/320L.14.16	BLADE GUIDE

OPTIONAL



TOP CLAMPING PISTON GROUP

PART NMR	PART CODE	PART NAME
001	BMSO 280/320/320L.15.01	PALET
002	BMSO 280/320/320L.15.02	PALET FLAT
003	BMSO 280/320/320L.15.03	M10*30 INBUS
004	BMSO 280/320/320L.15.04	FIXING PART
005	BMSO 280/320/320L.15.05	M10*35 INBUS
006	BMSO 280/320/320L.15.06	DUST SEAL 30*38
007	BMSO 280/320/320L.15.07	PISTON LOWER COVER
008	BMSO 280/320/320L.15.08	M6*25 INBUS
009	BMSO 280/320/320L.15.09	ORING 42,86*3,53
010	BMSO 280/320/320L.15.10	OIL SEAL 30*40*8
011	BMSO 280/320/320L.15.11	BAND 2*10
012	BMSO 280/320/320L.15.12	CHROME SHAFT 30
013	BMSO 280/320/320L.15.13	SHAFT PIPE (50*60)
014	BMSO 280/320/320L.15.14	REKOR
015	BMSO 280/320/320L.15.15	SEAL SET K18* 050-034 (50*34*20,5)
016	BMSO 280/320/320L.15.16	PISTON UPPER COVER

OPTIONAL